



SV Series

Non-clogging Vortex Type Submersible Pumps

Solids Passage 20~40 mm



FEATURES:

- High passing capacity type materialized as a result of giving priority to the smooth passing of foreign matters.

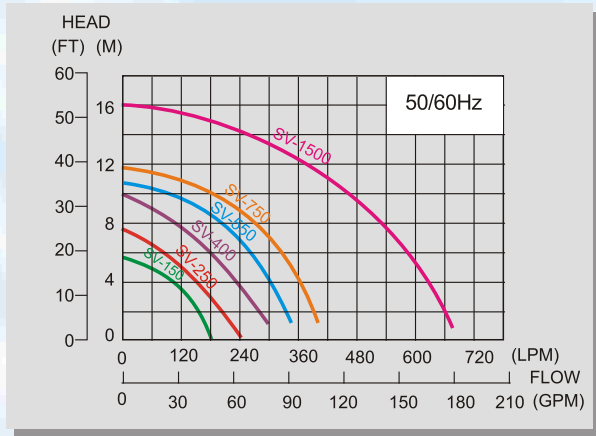
APPLICATIONS:

- To sprinkle or discharge water from farmland or ponds.
- For use at relay pump stations or manhole to relay raw water.
- For use at food processing factories or livestock production facilities, to discharge sewage.
- For use to discharge rainwater.
- Waterfall, fountain, and garden spraying.
- Sump pit, and washed water handling.





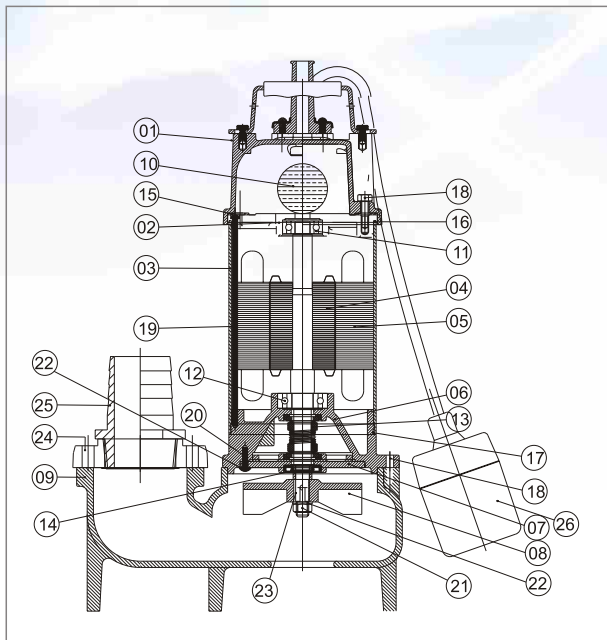
Performance



SV Series

Construction

NO	Description	Material
01	Top Cover	Nylon+GF
02	Upper Bearing Housing	FC200
03	Motor Housing	SUS304
04	Rotor and Shaft	SUS410
05	Stator	Laminated Steel
06	Lower Bearing Housing	FC200
07	Seal Plate	FC200
08	Impeller	FC200
09	Pump Casing	FC200
10	Capacitor	
11	Upper Bearing	CNM5K
12	Lower Bearing	CNM5K
13	Mechanical Seal	CA/CE
14	Oil Seal	NBR
15	Upper Packing	NBR
16	O-ring	NBR
17	O-ring	NBR
18	Hex Screw	SUS304
19	Long Rod Screw	SUS304
20	Big Cap Screw	SUS304
21	Nut	SUS304
22	Washer	SUS304
23	Key	SUS304
24	Discharge Connection	ABS
25	Discharge Adapter	PP+GF
26	Float Switch Ball	PP+GF



Specifications

Model	Output		Outlet		Rated		Maximum		Dimension	Weight	Pass Solid
	HP	W	mm	Inch	Head(M)	Flow(l/m)	Head(M)	Flow(l/m)	L x W x H (mm)	Kg	Dia(mm)
SV-150	1/5	150	40	1-1/2"	4	100	5.7	170	415x155x210	8	27
SV-250	1/3	250	40	1-1/2"	4.5	120	7.5	220	415x155x210	9.5	27
SV-400	1/2	400	50	2"	6	180	10	300	435x155x240	12	35
SV-550	3/4	550	80	3"	8	220	10	360	435x155x260	14	35
SV-750	1	750	80	3"	9	230	11	380	435x155x260	18	37
SV-1500	2	1500	80	3"	10	450	16	660	270x350x610	32	40

Remarks: SV series can be built up to 10HP for special requirements.



Hung Pump Group

16 Lien-Ming Street, Ba-De City 334,
 Taoyuan, Taiwan
 TEL:(886) -3-371-3969
 FAX:(886) -3-371-3996
 E-Mail: hungpump@ms9.hinet.net